

| POMPA A PORTATA FISSA FIXED CAPACITY PUMP | | | | | |
|--|----------------------|------------------|------|-----------------------|----------------|
| Portata Capacity | Giri / min R.P.M. | Potenza Power | | Pressione Pressure | Peso Weight |
| L/h | R.P.M. | Kw | Hp | Bar | Kg |
| 495 | 26 | 0,55 | 0,75 | 14 | 70 |
| 700 | 37 | 0,55 | 0,75 | 10 | 70 |
| 1100 | 58 | 1,5 | 2 | 14 | 88 |
| 1560 | 82 | 1,5 | 2 | 11 | 88 |
| 2015 | 106 | 1,5 | 2 | 8 | 88 |
| 2280 | 120 | 1,5 | 2 | 6 | 88 |

| REV | DATA DATE | DESCRIZIONE DESCRIPTION | Disegnato Drawn | Controllato Check |
|-----|--------------|----------------------------|--------------------|----------------------|
| | | | | |

Pompa - Pump Type: GP1

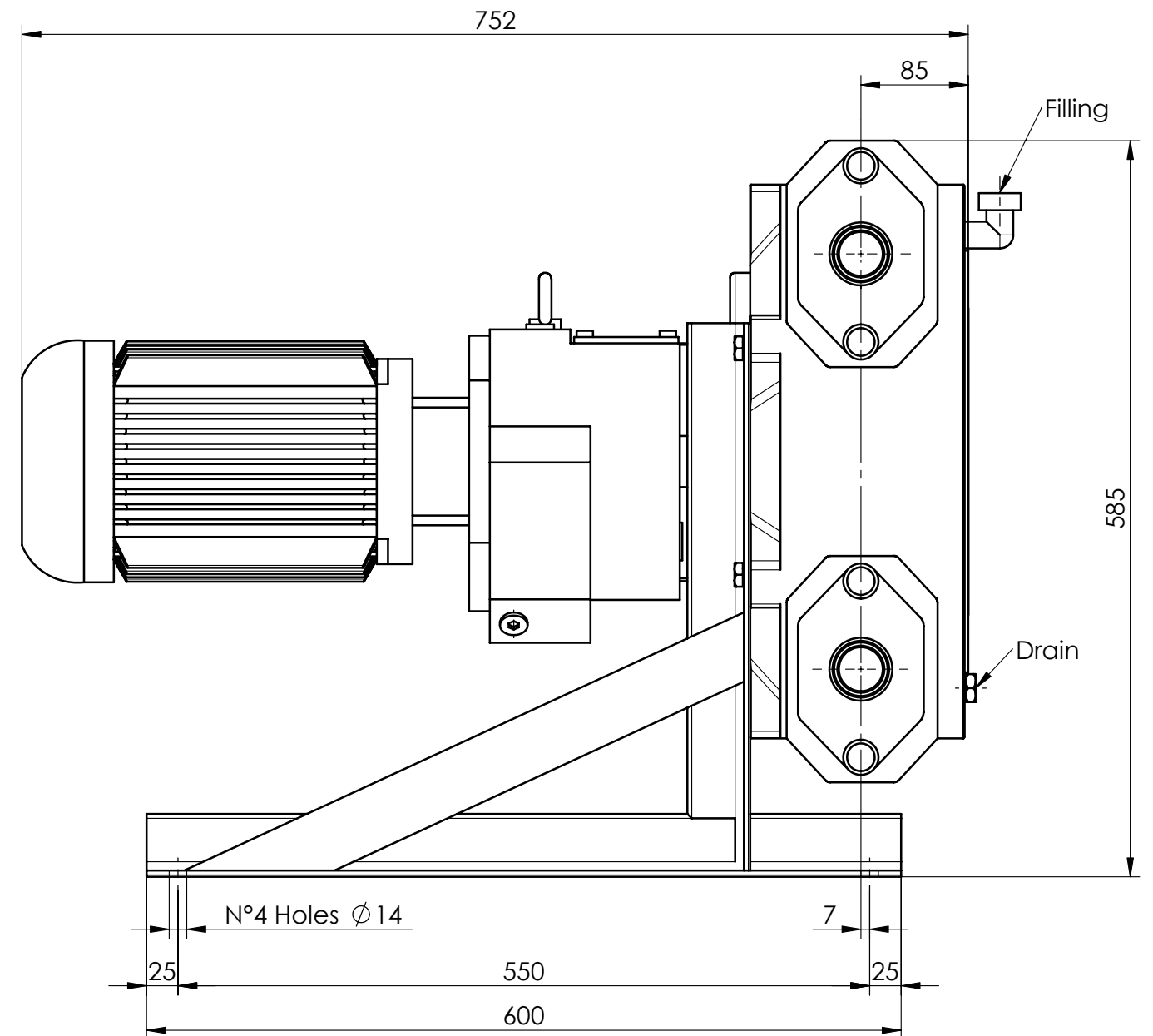
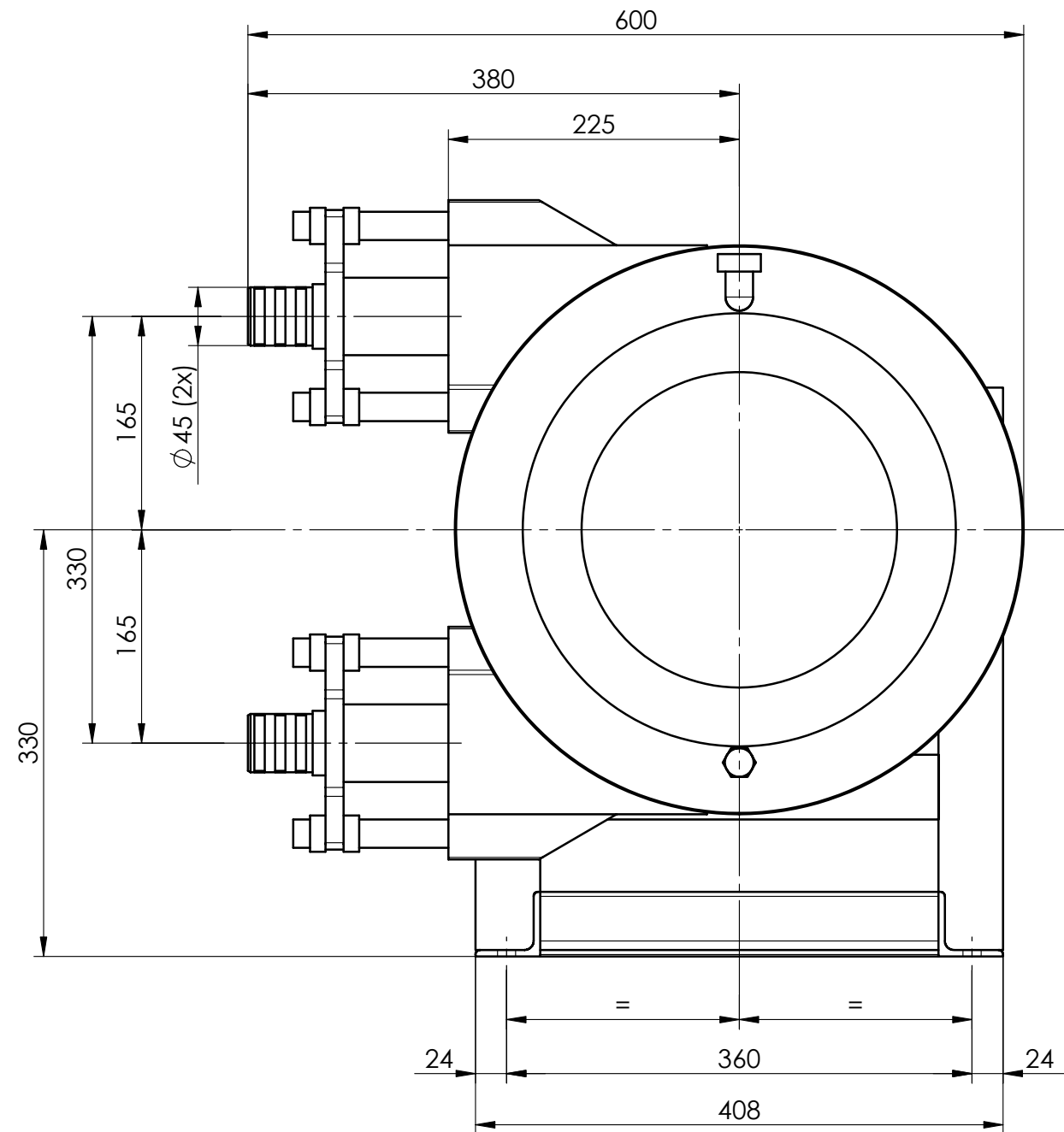
Dimensioni di ingombro

Overall dimensions

| | | | |
|-------------------------|--------------------|---------------------------|-----------------------------------|
| Data-Date 31/01/2006 | Scala-Scale 1:5 | Disegn.-Draw. P. Villa | Contr. Check-Approv. R. Cicori |
|-------------------------|--------------------|---------------------------|-----------------------------------|

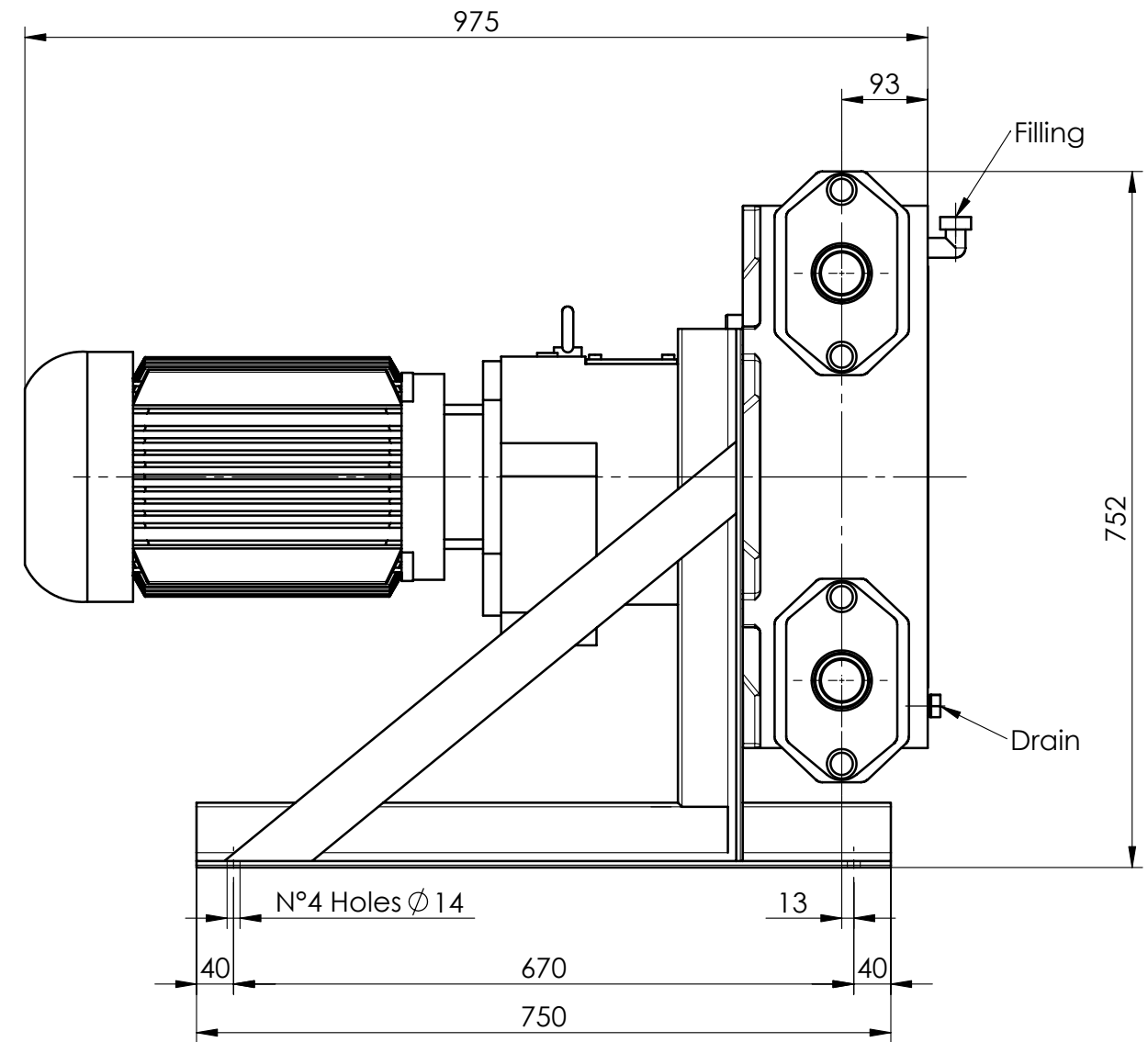
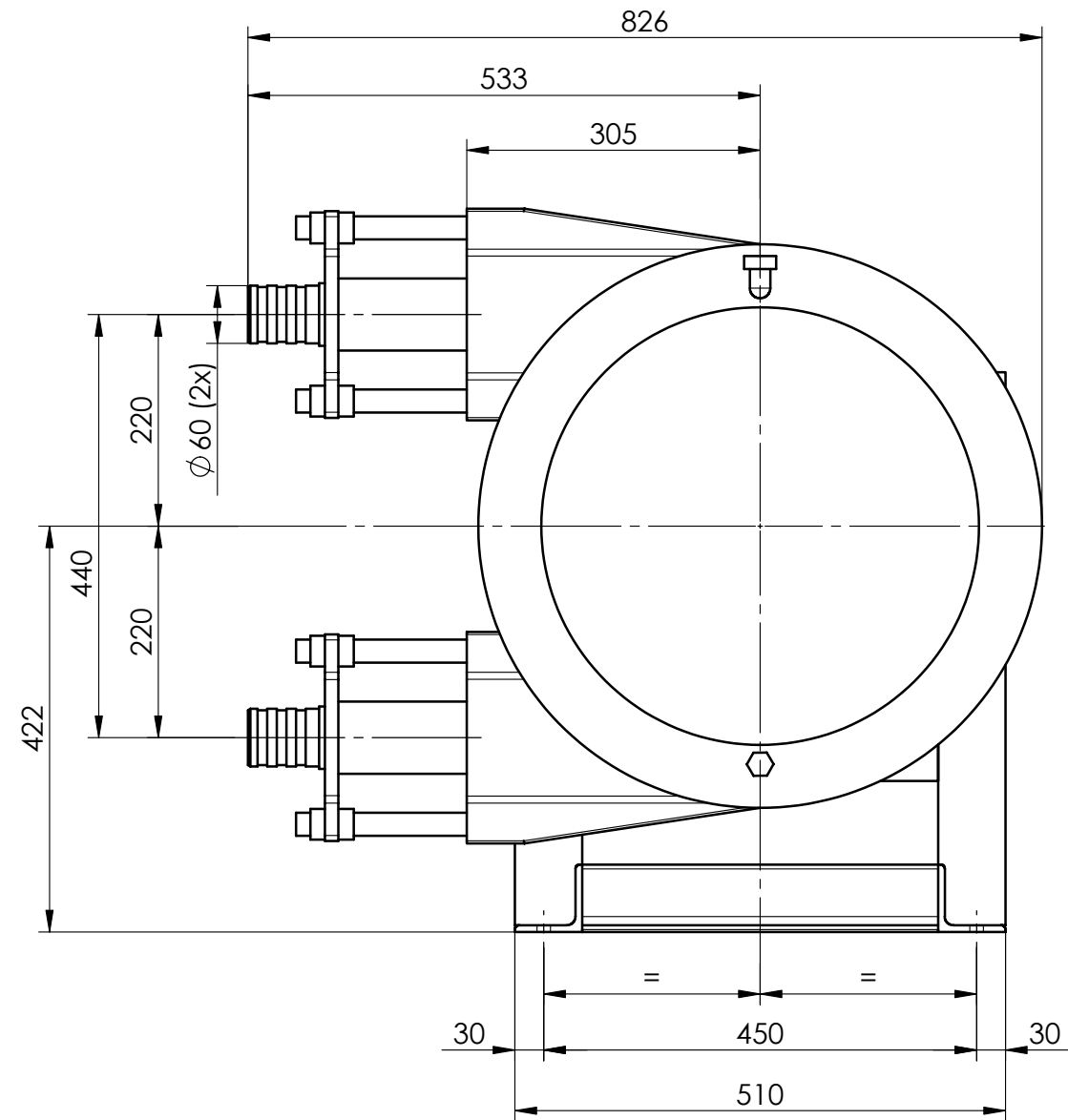


FTC16-J011 REV. 0



| POMPA A PORTATA FISSA FIXED CAPACITY PUMP | | | | | |
|--|------------|------------------|----|-----------------------|----------------|
| Portata Capacity | Giri / min | Potenza Power | | Pressione Pressure | Peso Weight |
| L/h | R.P.M. | Kw | Hp | Bar | Kg |
| 1870 | 34 | 1,5 | 2 | 12 | 160 |
| 2860 | 52 | 2,2 | 3 | 10 | 180 |
| 3740 | 68 | 2,2 | 3 | 8 | 180 |
| 4730 | 86 | 2,2 | 3 | 6 | 180 |
| 5500 | 100 | 2,2 | 3 | 5 | 180 |

| | | | | | | | | | | | | |
|--------------------------|--------------|----------------------------|--------------------|----------------------|---|--------------------|----------------------------------|--|--|---|-------------------|-----------|
| MODIFICHE / MODIFICATION | | | | | | | | | | | | |
| | | | | | | | | | | | | |
| | | | | | | | | | | | | |
| REV | DATA DATE | DESCRIZIONE DESCRIPTION | Disegnato Drawn | Controllato Check | Pompa - Pump Type: GP2 Dimensioni di ingombro Overall dimensions | | | | | Contr. Check-Approv. <i>R. Cicci</i> | FTC16-J012 | REV. 0 |
| | | | | | Data-Date 28/01/2006 | Scala-Scale 1:5 | Disegn.-Draw. <i>P. Villa</i> | | | | | |



| POMPA A PORTATA FISSA FIXED CAPACITY PUMP | | | | | |
|--|------------|---------------|-----|--------------------|-------------|
| Portata Capacity | Giri / min | Potenza Power | | Pressione Pressure | Peso Weight |
| L/h | R.P.M. | Kw | Hp | Bar | Kg |
| 3075 | 25 | 2,2 | 3 | 10 | 280 |
| 4550 | 37 | 3 | 4 | 8 | 300 |
| 6150 | 50 | 4 | 5,5 | 7 | 300 |
| 7870 | 64 | 4 | 5,5 | 6 | 300 |
| 9225 | 75 | 4 | 5,5 | 5 | 300 |

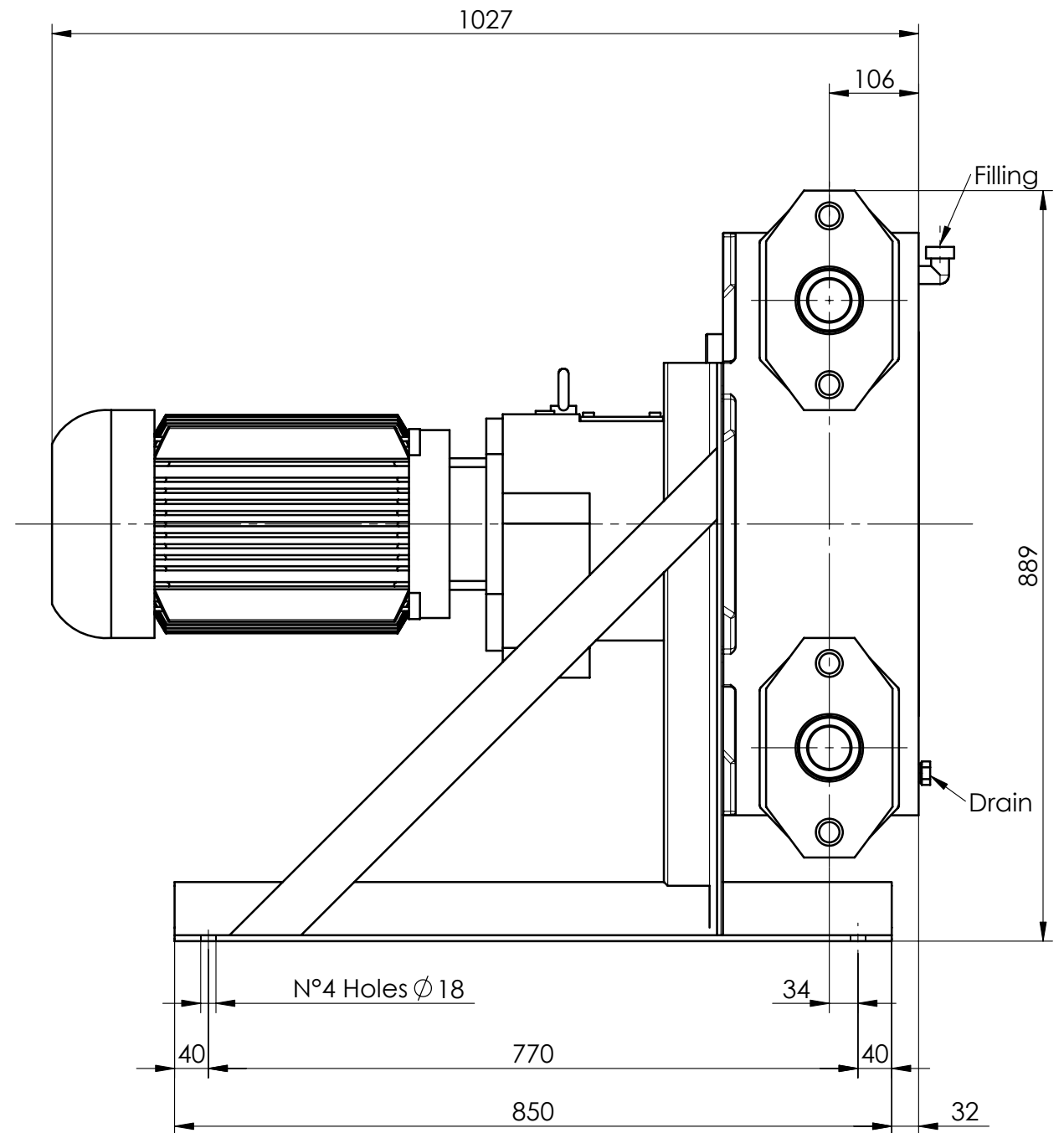
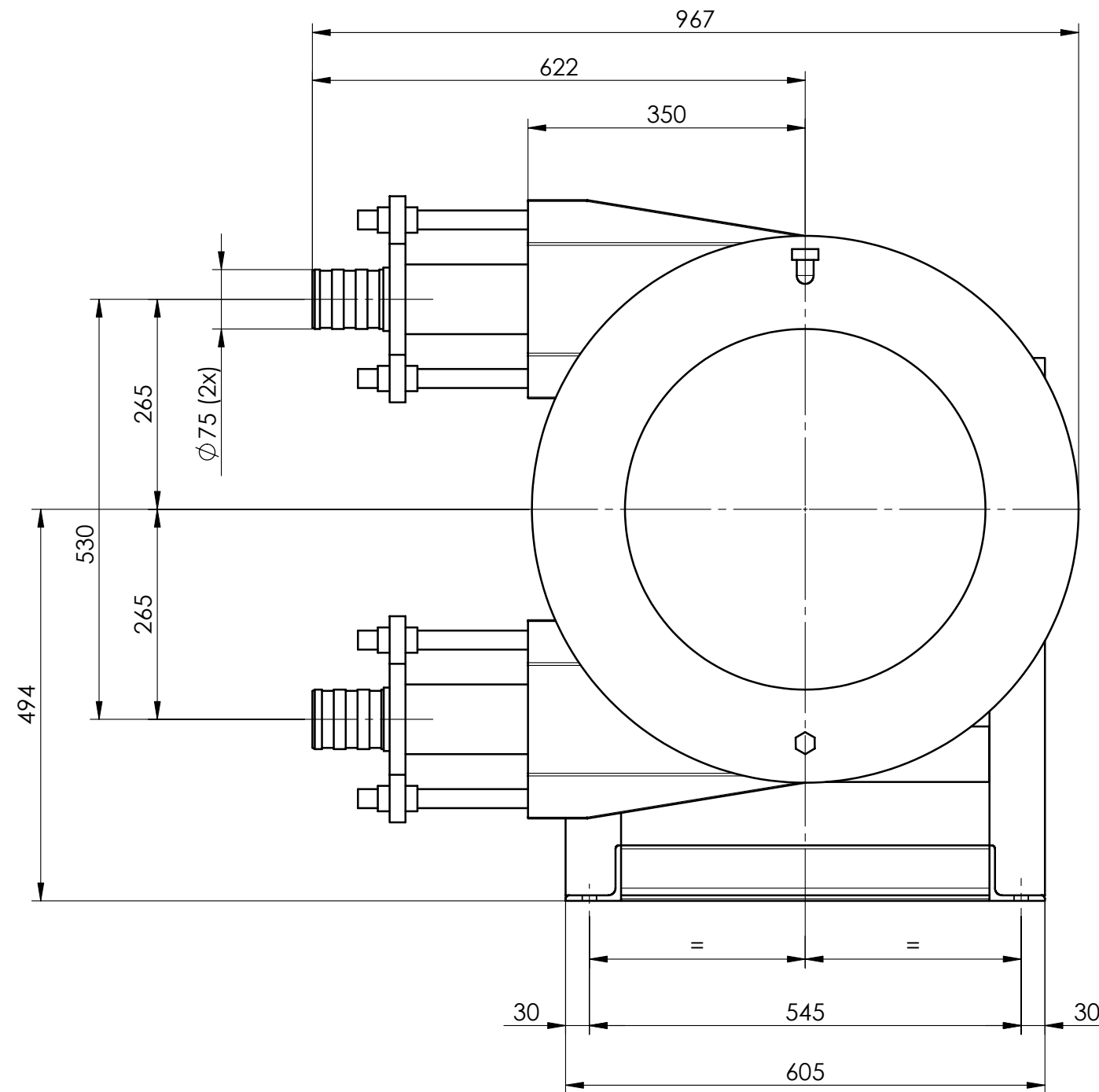
| REV | DATA DATE | DESCRIZIONE DESCRIPTION | Disegnato Drawn | Controllato Check |
|-----|-----------|-------------------------|-----------------|-------------------|
| | | | | |

| | | | |
|--------------------------|-------------|---------------|-----------------------|
| Pompa - Pump Type | | | |
| Dimensioni di ingombro | | | |
| Overall dimensions | | | |
| Data-Date | Scala-Scale | Disegn.-Draw. | Contr. Check.-Approv. |
| 28/01/2006 | 1:7.5 | P. Villa | R. Cicci |

FINDER

POMPE

FTC16-J013
REV. 0



| POMPA A PORTATA FISSA FIXED CAPACITY PUMP | | | | | |
|--|----------------------|------------------|-----|-----------------------|----------------|
| Portata Capacity | Giri / min R.P.M. | Potenza Power | | Pressione Pressure | Peso Weight |
| | | Kw | Hp | | |
| 6720 | 28 | 4 | 5,5 | 10 | 400 |
| 8880 | 37 | 5,5 | 7,5 | 9 | 420 |
| 11520 | 48 | 5,5 | 7,5 | 8 | 420 |
| 16560 | 69 | 7,5 | 10 | 8 | 420 |

| REV | DATA DATE | DESCRIZIONE DESCRIPTION | Disegnato Drawn | Controllato Check |
|-----|--------------|----------------------------|--------------------|----------------------|
| | | | | |
| | | | | |
| | | | | |

Pompa - Pump Type: GP4

Dimensioni di ingombro

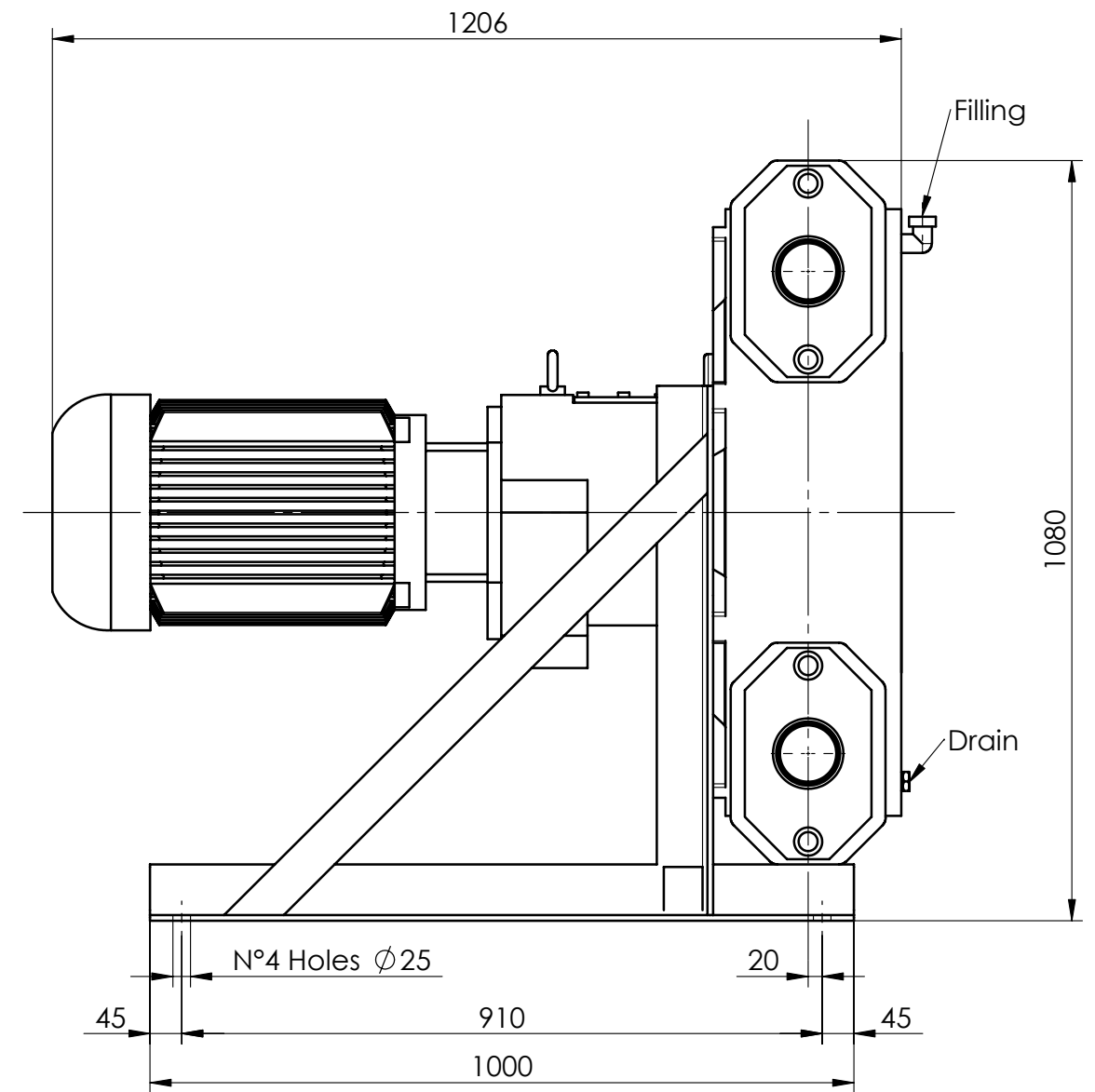
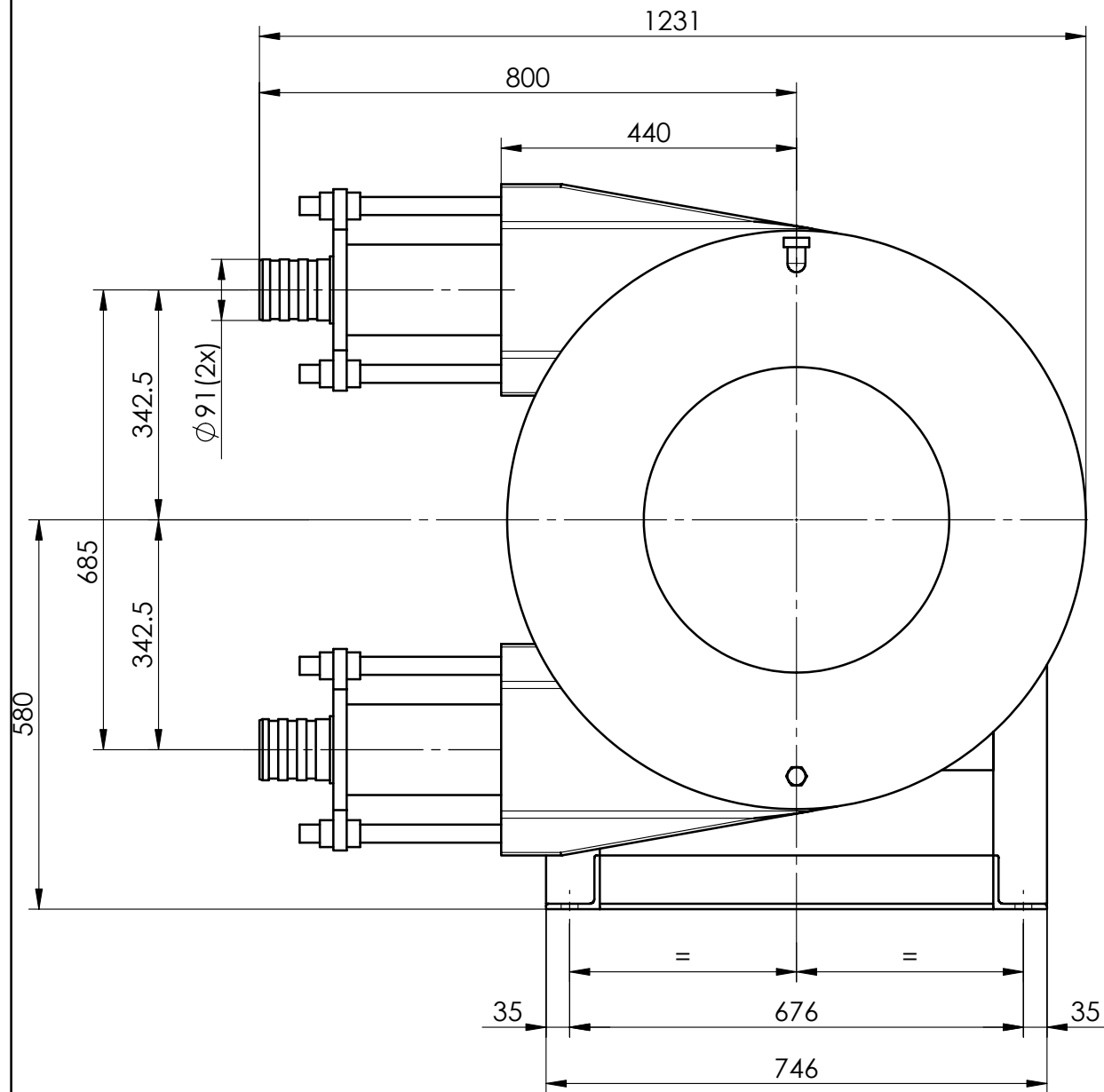
Overall dimensions

| | | | |
|-------------------------|----------------------|---------------------------|------------------------------------|
| Data-Date 28/01/2006 | Scala-Scale 1:7.5 | Disegn.-Draw. P. Villa | Contr. Check.-Approv. R. Cicori |
|-------------------------|----------------------|---------------------------|------------------------------------|

Finder
POMPE

FTC16-J014

REV.
0



| POMPA A PORTATA FISSA FIXED CAPACITY PUMP | | | | | |
|--|------------|---------------|----|--------------------|-------------|
| Portata Capacity | Giri / min | Potenza Power | | Pressione Pressure | Peso Weight |
| L/h | R.P.M. | Kw | Hp | Bar | Kg |
| 13620 | 24 | 7,5 | 10 | 8 | 580 |
| 18725 | 33 | 7,5 | 10 | 6 | 580 |
| 24970 | 44 | 11 | 15 | 6 | 620 |
| 32915 | 58 | 11 | 15 | 5 | 620 |

| | | | | | | | | | |
|--------------------------|-----|-----------|-------------------------|-----------------|-------------------|---|--|--|-----------------------------|
| MODIFICHE / MODIFICATION | | | | | | Pompa - Pump Type: GP5 Dimensioni di ingombro Overall dimensions | | | |
| | REV | DATA DATE | DESCRIZIONE DESCRIPTION | Disegnato Drawn | Controllato Check | | | Data-Date: 31/01/2006 Scala-Scale: 1:10 Disegn.-Draw: P. Villa Contr. Check.-Approv.: R. Cicori | FTC16-J015 REV. 0 |
| | | | | | | | | | |
| | | | | | | | | | |